

INTERNATIONAL EXHIBITION

AUG 3, 4 & 5, 2017 | BMICH | COLOMBO | SRILANKA



Organized by



Co-Organized by



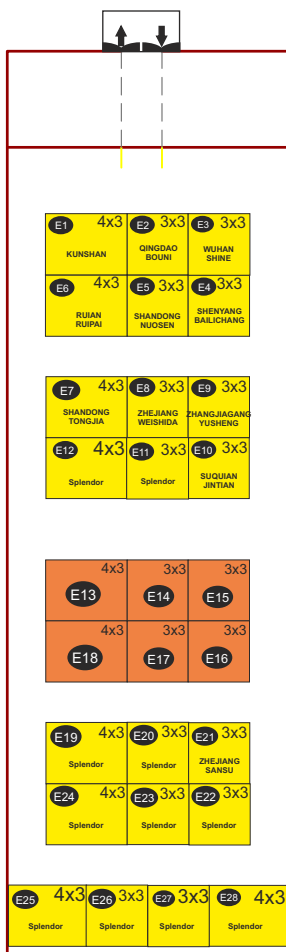
The Plastics & Rubber Institute of Sri Lanka

Country Pavilion

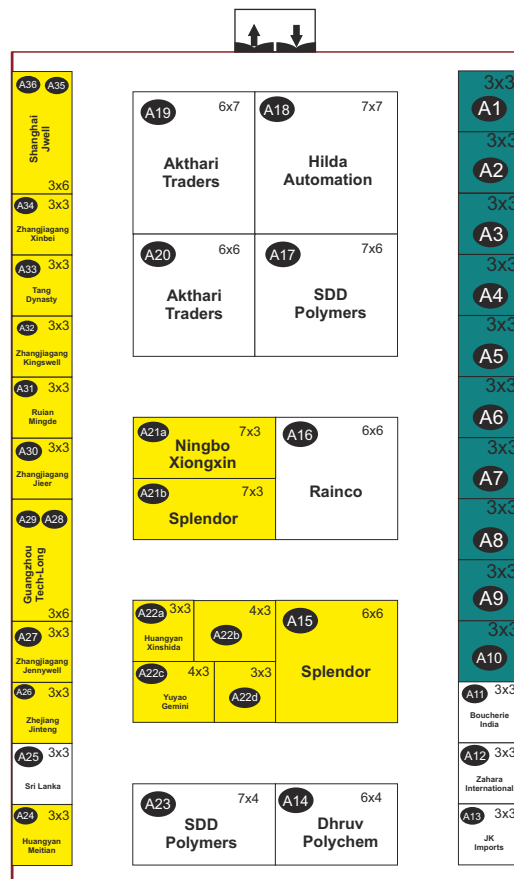
- China
- Taiwan
- India & Others

Date: 2-05
Ver: 1

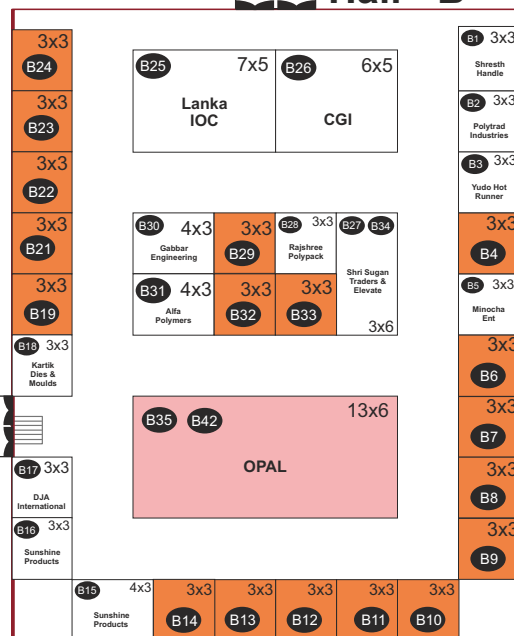
Hall - E



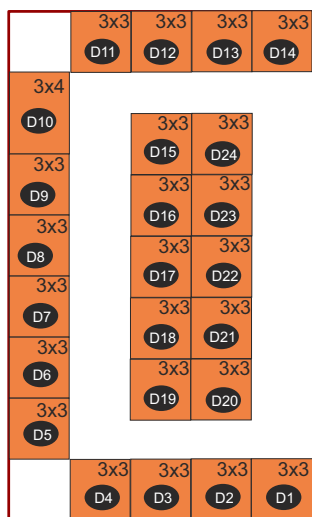
Hall - A



Hall - B



Hall - D



Hall - C

